

Sentry High Bay

Gear Tray Option



EHB-GT46UACMI

General Description

L.N.P.'s newest addition to the Sentry family of gasketed enclosures, the Sentry High Bay is suitable for a wide range of high bay applications and an ideal replacement for 150-400W metal halide and high pressure sodium lighting systems. This high lumen fluorescent option offers better lumen maintenance than HID, with a contoured lens featuring molded linear ridges to diffuse the lamp image and minimize glare. A unique symmetrically hinged gear tray provides for easy maintenance.

Features and Benefits

- Contoured component surfaces reduce the buildup of debris and permit easy cleaning
- Symmetrically hinged universal gear tray for trouble-free maintenance
- Stainless steel cam-action latches with tamper-proof locking capability by adding tamper screw. Tamper proof screw sold separately
- Universal mounting bracket hardware permits surface and suspended mounting
- The back of the housing has a 10 degree slope to satisfy the requirements in the food industry which are more stringent than NSF standards

Approvals and/or Listings

- U.L. and C.U.L. recognized components
- Tested and approved for the UL and the cUL listing
- NSF Splash Zone 2
- IP65 (pending)
- IP67 (pending)
- NEMA 4X (pending)
- Hose Down – 1300 PSI (pending)

Applications

Food processing facilities, sports complexes, warehouses, outdoor canopies, cold storage facilities, and manufacturing facilities.

Ordering Information

Please contact L.N.P. LightsNplastics for price and delivery.

Main: 888-675-2525

Fax: 888-615-9679

www.LightsNplastics.com



Sentry High Bay Specifications

Housing
Reinforced polyester compound

UL 5VA flammability and F1 weatherability rated

Lenses
Clear impact modified acrylic or clear UV stabilized polycarbonate

Gasketing
En-Seal™ continuous poured gasket

Gear Tray Pre-painted white cold-rolled steel with 87% reflectivity

Reflector
Miro®4 reflector available in narrow distribution

Latch
Captive, tamper-proof stainless steel cam-action latch

Mounting Bracket
Stainless steel mounting bracket or surface, suspended chain and aircraft cable mounting applications

Conduit Fitting
7/8" Housing end holes (2)

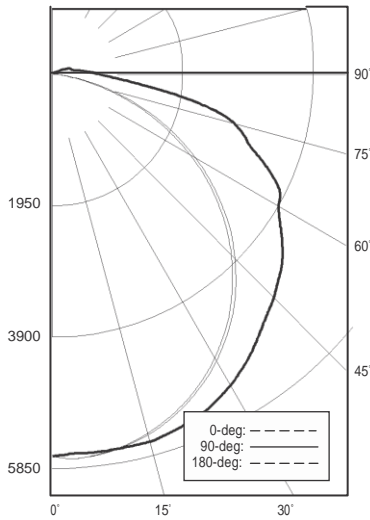
DC-2 Conduit fitting is recommended and should have silicon sealant applied to internal threads when installed for wet locations

Lamp Configurations
4-lamp: Positions 2, 3, 4 and 5
6-lamp: Positions 1, 2, 3, 4, 5 and 6

Lamp Types
4ft, T8, T5 and T5HO

Sentry High Bay

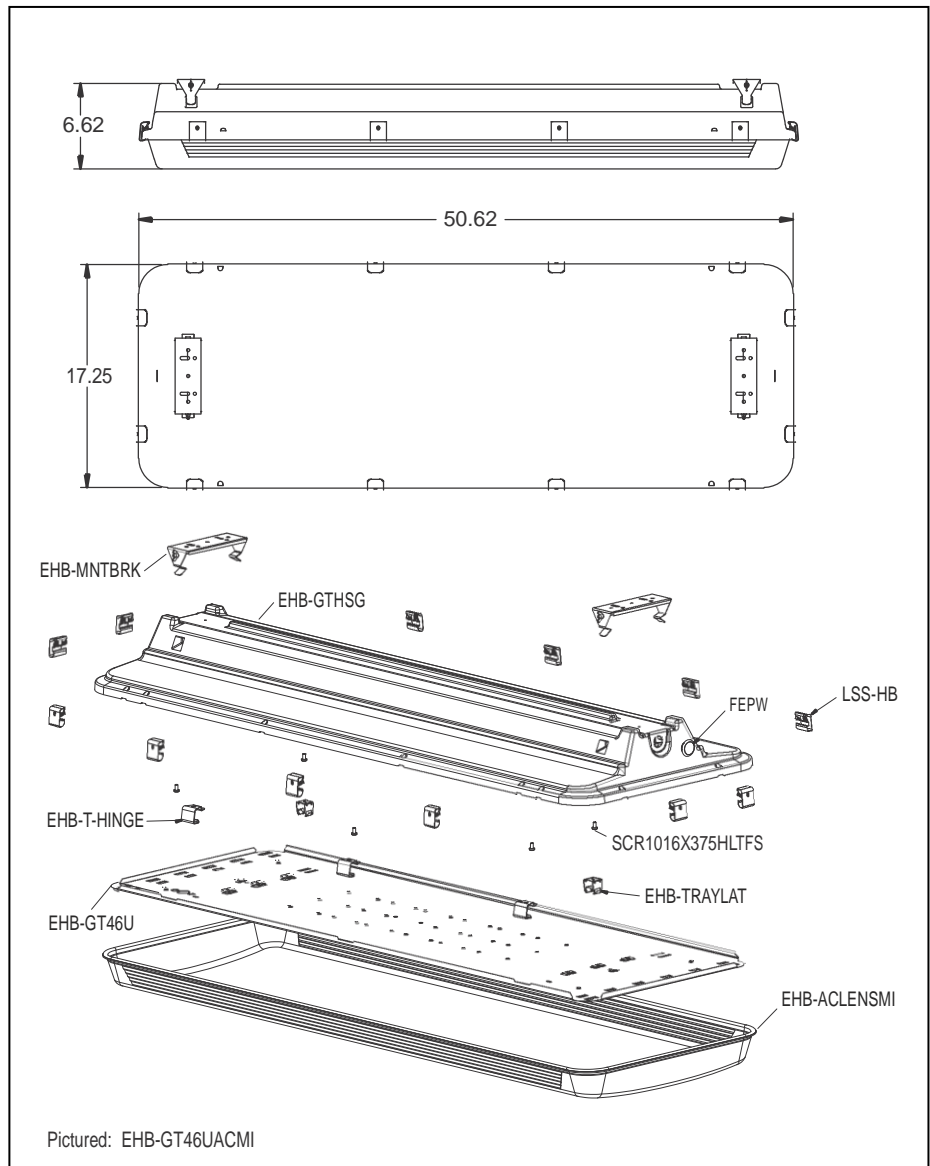
Gear Tray Option



Product Number: EHB-GT46UACMI
 Report Number: 03329
 Luminaire: 6-Lamp T5 54W
 lamp configuration
 Total Luminaire Efficiency: 68.9%
 CIE TYPE: Direct
 Luminaire Spacing Criteria: 1.3

Zonal Lumen Summary

Zone	Lumens	%Lamp	%Fixt
0-30	4571	15.2	22.1
0-40	7632	25.4	36.9
0-60	14170	47.2	68.6
0-90	19972	66.6	96.7
90-120	657	2.2	3.2
90-130	683	2.3	3.36
90-150	690	2.3	3.3
90-180	692	2.3	3.3
0-180	20664	68.9	100.0



Notice
 L.N.P. Lighting Components, Inc., assumes no responsibility
 for suitability of these materials in any luminaire or
 application.

Dimensions subject to change without notice.

Sentry High Bay

Gear Tray Option

Kit Number	Kit Description	
EHB-GT46UACMI	4-lamp or 6-lamp Sentry Gear Tray High Bay with Medium Impact Acrylic Lens	
Includes	Components Description	Qty
EHB-GTHSG	Gear tray version high bay housing	1
EHB-GT46U	4-lamp or 6-lamp gear tray	1
EHB-T-HINGE	Gear tray t-hinge bracket	3
EHB-TRAYLAT	Gear tray stainless steel traylat	2
EHB-ACLENSMI	Medium acrylic high bay lens	1
LSS-HB	Stainless steel high bay latch	12
FEPW	7/8" hole dust cover plug	1
EHB-MNTBRK	High bay mounting brkt asm set	1
SCR1016X375HLTFS	#10-16 by 3/8 high-low thread forming screw	5

Optional Kit Components		
Catalog Number	Components Description	Qty
EHB-PCLENS	Polycarbonate high bay lens	1
EHB-GTREF46UM4N	Narrow reflector for 6-lamp configuration	3
	Narrow reflector for 4-lamp configuration	2
DC-2	1/2-14 npt die cast water-tight fitting	1
TPS-005	#8-32 x 3/8 tamper proof screw	12

Optional Hanging Components		
Catalog Number	Components Description	Qty
1018000	Gripper	2
5011000	V-Hook	2
CABLE-XXX**	Cable (variety of styles and sizes available)	2

**Speak with our customer service representative to determine the exact Cable for your application.



L.N.P.
LightsNplastics
2233 First Ave. South
Seattle, WA 98134

USA

Tel. • **888-675-2525**, 206-467-4556
Fax • 888-615-9679, 206-623-3844
Email • sales@LightsNplastics.com

www.LightsNplastics.com