



General Description

An attractive center basket 2x2 direct/indirect fixture kit, the RDI provides soft, balanced illumination for a contemporary appearance and comfortable, low glare light. The housing and LED lamp modules are fully recessed above the ceiling plane, minimizing lamp exposure.

The acrylic lens wraps around the LED modules or lamps to provide the ideal combination of efficiency and aesthetics. The curved reflectors produce a combination of direct and indirect light, fully illuminating the fixture housing.

The contoured panels of the unit are finished in high reflectance matte white that provide a low-brightness glow, with the majority of the light controlled through the center.

Features and Benefits

- Reflectors and ends feature specially formulated proprietary matte white paint to enhance efficiency
- Linear arrayed LEDs provide soft, effective illumination

Applications

Suitable for recessed commercial and institutional applications such as offices, hospitals, schools etc. For use with standard 15/16" grid ceiling systems.

Ordering Information

Please call (888) 675-2525 for price and delivery or email sales@lightsnplastics.com.

RDIDB LED

2x2, 2x4

Specifications

Housing

Die-formed heavy-gauge cold rolled steel

Basket Options

Clear acrylic or clear w/overlay "Double Bubble" lens or high transmission extruded acrylic baskets

Finish

Low gloss, high reflectivity powder coat finish

Mounting

Standard troffer mounting for T-bar ceilings, with earthquake feature

Light Source

Linear arrayed LED modules
350ma driver suitable for
120V-277V operation

Also suitable for

T5 or T5HO linear lamps.

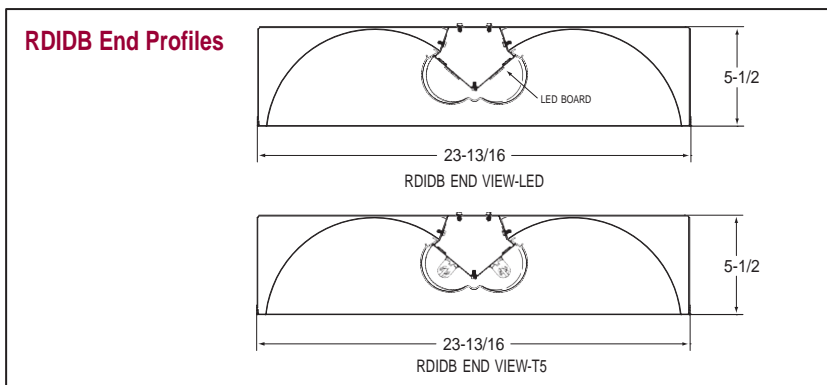
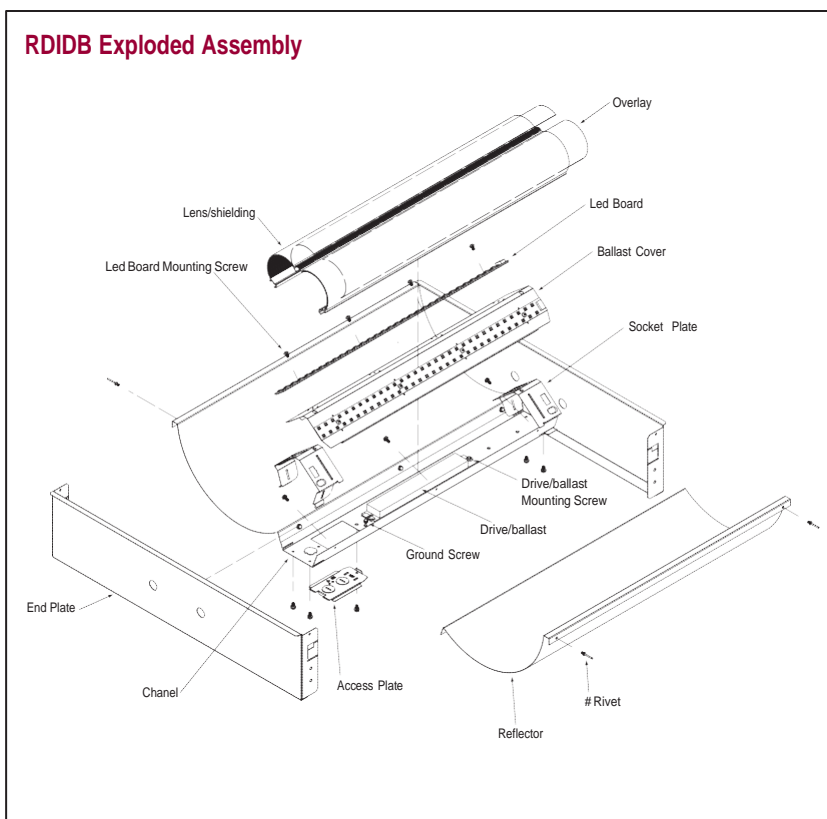


RDIDB Metal Component Kits		
Kit Number	Component	Qty
RDIDB22 (2x2 LED/T5 Kit)		
ACPL	Access Plate	1
RDIALP-CH2	RDI Channel 2ft	1
RDIDB-E2M	RDI Double Bubble End Plate	2
RDIDB-SP2	RDI Double Bubble LED Socket Plate	2
RDIDB-CO2	RDI Double Bubble 2ft Cover	1
RDIALP-RF2M	RDI Reflector 2ft	2
RDIDB24 (2x4 LED/T5 Kit)		
ACPL	Access Plate	1
RDIALP-CH4	RDI Channel 4ft	1
RDIDB-E2M	RDI Double Bubble End Plate	2
RDIDB-SP4	RDI Double Bubble LED Socket Plate	2
RDIDB-CO4	RDI Double Bubble 4ft Cover	1
RDIALP-RF4M	RDI Reflector 4ft	2

Shielding Options		
Part Number	Component	Qty
RDIDB-2LC	2ft Clear Acrylic Lens	1
RDIDB-4LC	4ft Clear Acrylic Lens	1
RDIDB-2OL	2ft Lumeio Overlay for Clear Lens	2
RDIDB-4OL	4ft Lumeio Overlay for Clear Lens	2

Sockets and Accessories		
Kit Number	Component	Qty
F1501T5-S	T5 Socket Rotor Lock	4

LED Modules and Drivers	
TLB64-121-4KLM	1" x 21" Linear LED Board w/ 64 LM80 certified LED's 4000K
TLD45W	45W - 387mA 4-channel LED Driver (0-10V dimmable)

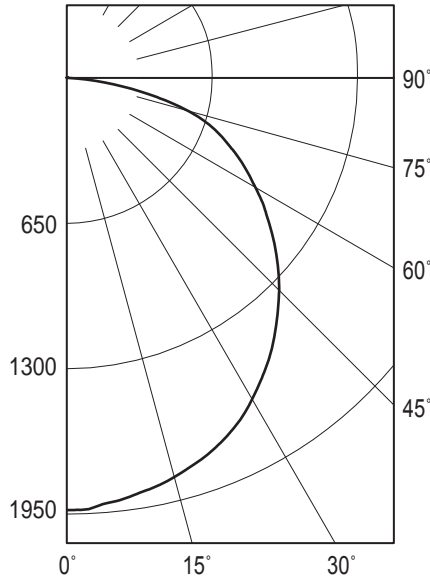


Notice

Dimensions subject to change without notice.
 This product is an OEM component kit requiring final assembly by a qualified OEM fixture manufacturer.
 THIS PRODUCT IS NOT A COMPLETE FIXTURE ASSEMBLY

PHOTOMETRY

Report Number: 04098FP
Issue Date: 11/29/11
Prepared for: A.L.P. Lighting
Catalog Number: RDIDB24TLED-LCO
Luminaire: 2'x4' RDIDB with four LED boards of 96 individual LEDs each for a total of 384 LEDs with acrylic clear lens, Lumieo overlay and matte white reflector
Lamp: Four T-OPTO LED boards of 96 individual LEDs each for a total of 384 LEDs #LFM0211-01-01
Mounting: Horizontal
LED Driver: T-OPTO TDC-45-387-CO1
Total Operating Time: 0.5 Hours
Watts: 87 @ 120.02 Volts
Test Procedure: IESNA LM-79-08
Test Distance: 28 FEET
Lumens Per Watt: 69.7



While Lights N Plastics utilizes IESNA testing procedures and believe our testing results to be accurate, LNP provides photometry for reference only. Actual results will vary based on the actual lamp/ballast combination used, operating temperatures, and other electrical and environmental variables. We urge the customer to perform their own qualification of the fixture before making performance based claims. In no event will we be liable for any loss or damage including without limitation, indirect or consequential loss or damage in connection with the use of this information.

Lumen Summary

Zone	Lumens	% Fixture
0-30	1509	24.9
0-40	2487	41.0
0-60	4508	74.4
0-90	6051	99.8
90-120	7	0.1
90-130	8	0.1
90-150	9	0.2
90-180	10	0.2
0-180	6062	100.00

Luminance Data in Candela/SQ M at 0° plane

Angle	Average
45	2555
55	2572
65	2705
75	2884
85	1543

Notice

Lights N Plastics, assumes no responsibility for suitability of these materials in any luminaire or application. Please test for fit and function prior to ordering project quantities.

While LNP utilizes IESNA testing procedures and believe our testing results to be accurate, LNP provides photometry for reference only. Actual results will vary based on the actual lamp/ballast combination used, operating temperatures, and other electrical and environmental variables. We urge the customer to perform their own qualification of the fixture before making performance based claims. In no event will we be liable for any loss or damage including without limitation, indirect or consequential loss or damage in connection with the use of this information.