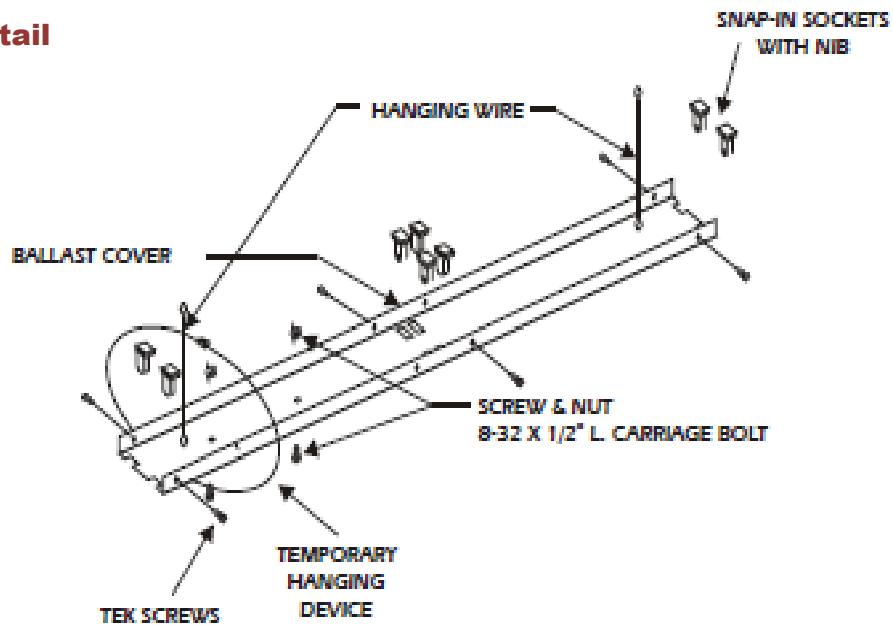


GENERAL DESCRIPTION

A one piece ballast cover with lamp holders and a pre-wired ballast for converting energy consuming T12 strip fixtures to efficient T8 without tools. Includes a support loop for hanging purposes and pre-installed hanging wires.

Fits strip fixtures 4-1/2" wide.

Assembly Detail



ITEM	Description
SR8-232	Strip Retrofit, 8ft, 2 lamp, T8 32w universal ballast (-H=high output; -L=low output)
SR8-432	Strip Retrofit, 8ft, 4 lamp, T8 32w universal ballast (-H=high output; -L=low output)
SR-82	Strip Retrofit Kit, 8ft, 2 lamp, without sockets or prewired ballast
SR-84	Strip Retrofit Kit, 8ft, 4 lamp, without sockets or prewired ballast